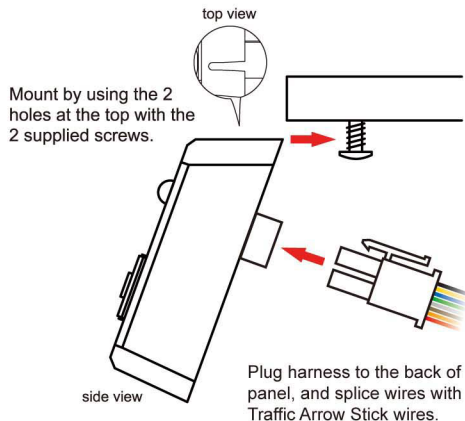


# 6391206 Switch Panel

1. Choose a place to install the Switch Panel.
2. Route Switch Panel **RED** & **BLACK** wires toward vehicle battery.
3. Route Traffic Arrow Stick wires to Switch Panel and splice same color wires together.

## Screw Mount Installation



**Note:** do not splice **RED** and **BLACK** wires with Traffic Arrow Stick wires. They must be connected to +VDC and ground.