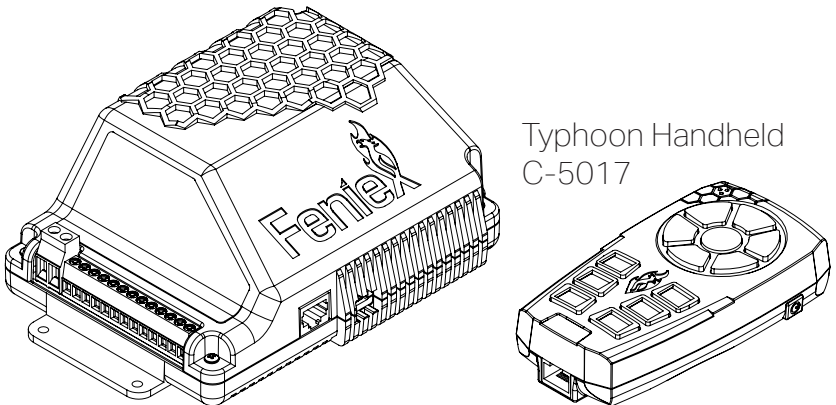


Typhoon Full Function
C-4017



Typhoon Handheld
C-5017





Table of Contents

- Safety Regulations & Warranty**..... 3
 - Service after Expiration..... 3
 - Copyright..... 3
 - Feniex Product Copyright..... 3

- Equipment Dimensions**..... 4

- Box Contents**..... 5
 - Typhoon Full Function..... 5
 - Typhoon Hand Held..... 6

- System Specifications**..... 7

- Mounting Instructions**..... 8
 - Typhoon Siren Mount..... 8
 - Typhoon Handheld Mount..... 8
 - Typhoon Full Function Mount..... 9

- Wiring Diagram**..... 10

- Siren Tones**..... 11 - 12



Safety Regulations & Warranty

Safety Regulations

The following provides all the information necessary to safely operate the previously listed products of Feniex Industries, Inc. Please read this manual thoroughly before installing or operating your new product in order to prevent any damage or injury. Failure to follow the listed instructions in this manual may result in damage to your products or personal injury.

- Proper installation of this product requires good knowledge of automotive systems, electronics and procedures.
- Please guarantee all vital components of the vehicle are not in danger of being damaged by drilling holes necessary for installation. Check all sides of the mounting surface before drilling any holes into the vehicle.
- Do not install this product in any way that interferes with the deployment of the air bag. Doing so may damage the effectiveness of the air bag and can lead to serious personal and vehicle injury. The installer will assume full responsibility of proper installation of the new unit.
- Please clean the mounting surface before installation of the unit when using tape, brackets, magnet, Velcro or suction cups.
- The product's ground wire must be connected directly to the Negative (-) battery post for effective use of the unit. Please follow all wiring guidelines provided to guarantee long lifespan and productivity. Failing to follow these instructions may result in damage to the product.

Warranty

Feniex Industries, Inc. warrants to the original purchaser that the product shall be free from defects in material and workmanship for 5 years from the date of purchase for all LED products. Feniex Industries warranties speakers, sirens, flashers, and controllers for 2 years.

If a warranty problem occurs, please contact customer support at 1.800.615.8350 or visit the web site at www.Feniex.com. If the product needs to be returned for repair or replacement, call our customer support line to receive a return merchandise authorization number.

Operational times are from 10 a.m. to 5 p.m. central time, Monday through Friday. Please do not send in product without contacting support first for a RMA number.

Service After Expiration

Feniex Industries will still provide service for all products after expiration of the warranty. For any issues, call the customer support line. In some instances it may be necessary for the product to be shipped, freight prepaid and insured for loss or damage to Feniex headquarters.

Warning! Utilizing non-factory screws and mounting brackets may result in loss of warranty coverage.

Copyright

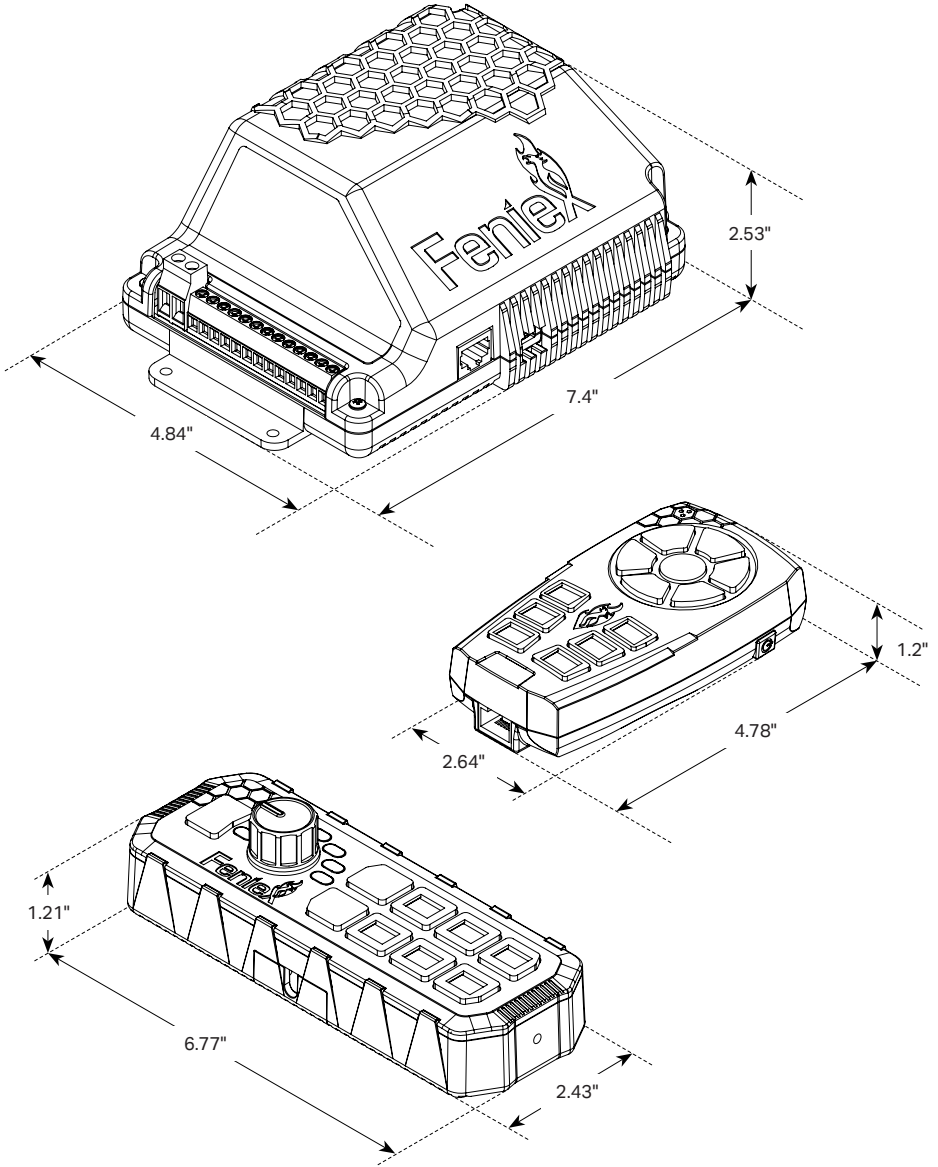
This instruction manual and the Feniex products described in this instruction manual may include or describe copyrighted Feniex material. Laws in the United States and other countries preserve for Feniex Industries and its licensors certain exclusive rights for copyrighted material, including the exclusive right to copy, reproduce in any form, distribute and make derivative works of the copyrighted material. Accordingly, any copyrighted material of Feniex and its licensors contained herein or in the Feniex products described in this instruction manual may not be copied, reproduced, distributed, merged or modified in any manner without the express written permission of Feniex Industries, Inc.

Feniex Product Copyrights

The products described in this document are the property of Feniex Industries, Inc. It is furnished by express license agreement only and may be used only in accordance with the terms of such an agreement. Products and documentation are copyrighted materials. Making unauthorized copies is prohibited by law. No part of the product or documentation may be reproduced, transmitted, transcribed, stored in retrieval system or translated into any language or computer language, in any form or by any means, without prior permission from Feniex Industries, Inc.



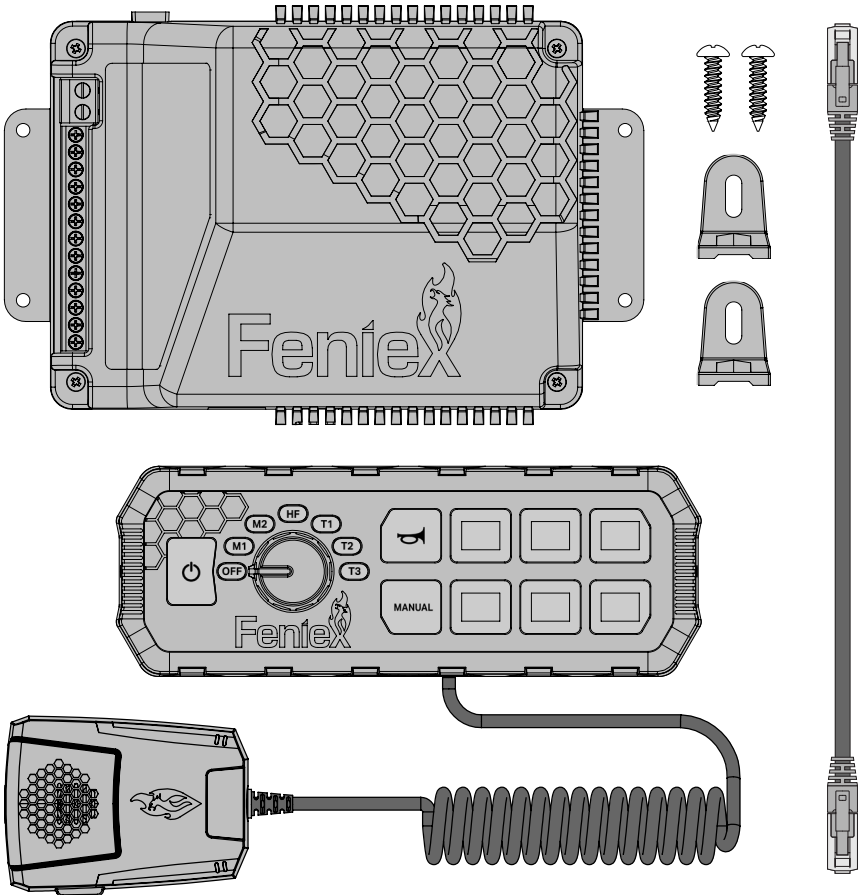
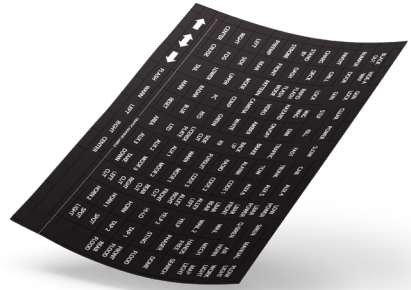
Equipment Dimensions





Typhoon Full Function Box Contents

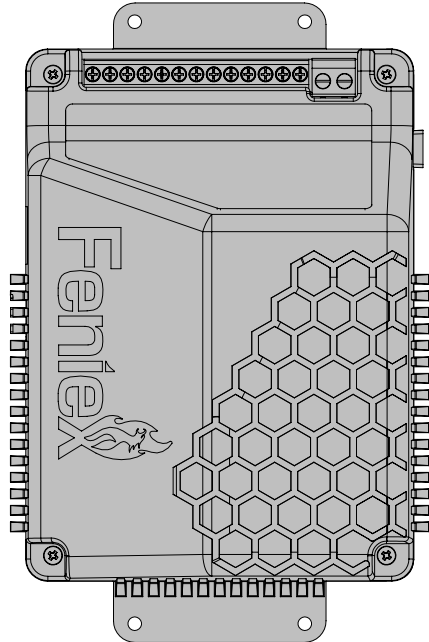
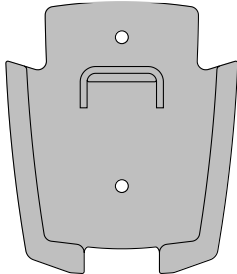
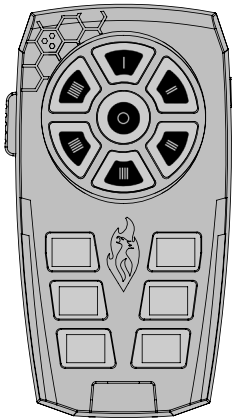
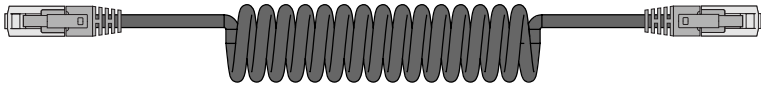
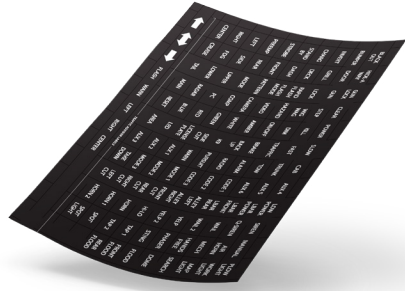
Product:	Quantity
Full Function Controller and Integrated Microphone	1
Typhoon Siren	1
Label Sheet	1
RJ45 Cable	1
Short Arm L-Bracket	2
8-32x3/8 Screw	2





Typhoon Handheld Box Contents

Product:	Quantity
Handheld Controller	1
Typhoon Siren	1
Label Sheet	1
RJ45 Cable	1
Nest Clip Mount	1
#6 Screw	2





System Specification

Typhoon Siren Specification:

Input Voltage:	12V DC
Temperature Range:	-20°C to +50°C
Max Current:	25A
Stand By Current:	50mA
Power Output:	100W
Main Fuse:	30A
Feature 1:	Air Horn Override
Feature 2:	Park Kill
Feature 3:	Radio Rebroadcast
Feature 4:	21 Programmable Tones
Feature 5:	Included Mic
Speaker Impedance:	11 Ohm
Output Voltage:	35V RMS
Housing:	Aluminum
Siren Overload Protection	Turn off for 5 seconds then Auto Restart

Full Function System Specification:

Operating Voltage:	12V DC
Max Power Output:	-20°C to +50°C
Standby Current:	25mA
Number of Outputs:	6

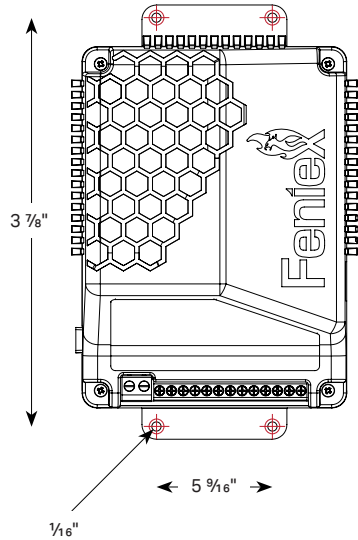
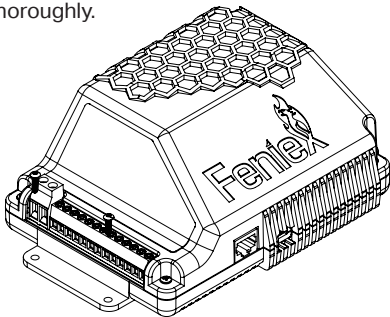
Handheld System Specification:

Operating Voltage:	12V DC
Max Power Output:	-20°C to +50°C
Standby Current:	25mA
Number of Outputs:	6



Typhoon Siren Mounting

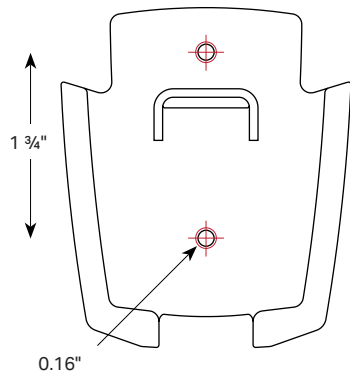
- 1.) Place the unit against the intended mounting surface.
- 2.) Mark the areas where the mounting holes will be drilled. If the mounting surface is part of the vehicle, make sure no vital components could be damaged by the drilling process.
- 3.) Pre-drill four 1/16" mounting holes on the mounting surface, making sure no vital components of the surface are damaged.
- 4.) Make sure to deburr the holes thoroughly.



- 5.) Using customer provided screws, secure the Typhoon Siren to the mounting surface.

Typhoon Handheld Mounting

- 1.) Place the Handheld nest against the intended mounting surface.
- 2.) Mark the areas where the mounting holes will be drilled. If the mounting surface is part of the vehicle, make sure no vital components could be damaged by the drilling process.
- 3.) Drill two .16" mounting holes on the mounting surface, making sure no vital components of the surface are damaged.



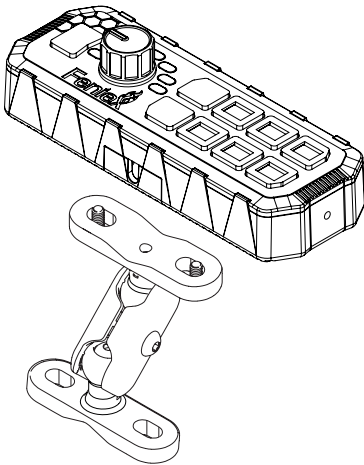
- 4.) Place the Typhoon Handheld Controller into the clip to hold the unit when not in use.

Typhoon Full Function Mounting

Mounting Swivel Bracket

(purchased separately)

- 1.) Secure the Swivel Ball to the base of the controller using the #10-32 screw.
- 2.) Attach the swivel ball to the swivel bracket base using the provided screw.
- 3.) Using the provided screw, secure the two clamps loosely together.



4.) Place the clamps and screw around the 2 swivel balls. Tighten the clamp screw, thereby attaching the swivel bracket base to the full function controller.

5.) Secure the Swivel Bracket to the rear of the controller (as shown in the diagram).

6.) Place the unit against the intended mounting surface.

7.) Mark the areas where the mounting holes will be drilled. If the mounting surface is part of the vehicle, make sure no vital components could be damaged by the drilling process.

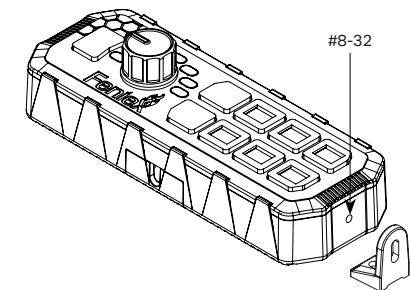
8.) Drill two mounting holes on the mounting surface, making sure no vital components of the surface are damaged.

9.) Using customer provided screws, secure the Full Function controller to the mounting surface.

Mounting L-Bracket

1.) Utilizing the provided screws, secure the L-Brackets to each sides of the controller using a Phillips head screwdriver at a torque setting of 1 in*lb.

2.) Place the unit against the intended mounting surface and mark the areas where the mounting holes will be drilled. If the mounting surface is part of the vehicle, make sure no vital components could be damaged by the drilling process.



5.) Drill two mounting holes on the mounting surface.

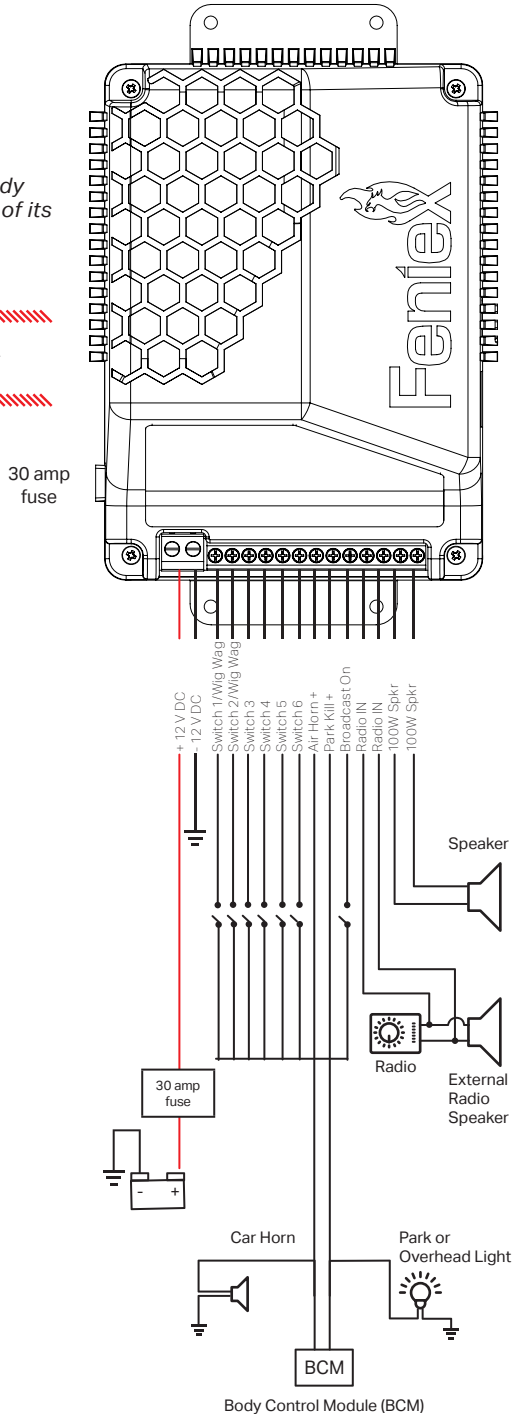
6.) Using customer provided screws, secure the Full Function controller to the mounting surface.



Wiring Diagram

Air Horn and Horn Ring will activate on a 12V+ signal. Every vehicle's Body Control Module is different in terms of its output signal.

Important! Outputs 1-6 have an AMP rating of 3.5A, and all output channels combined cannot exceed 12A.





Siren Tones

Using Tone Select Switch

To cycle through tones activate desired port and momentarily press the tone selector switch to cycle to next tone.

Using Park Kill

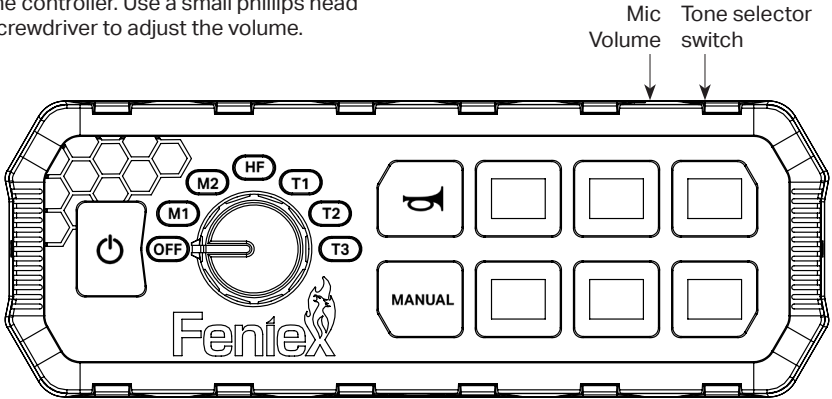
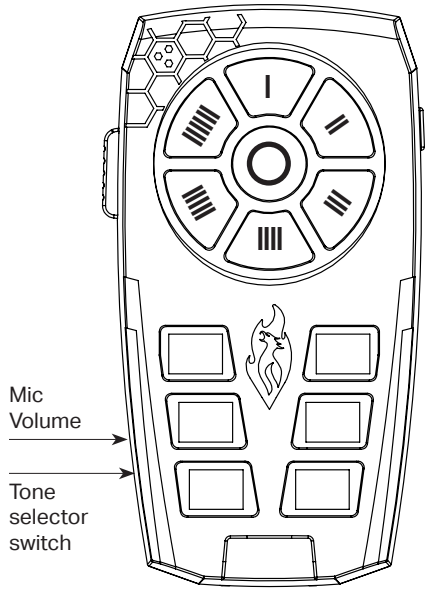
Park Kill is used to deactivate any activated standard siren tone. Park Kill does not deactivate audio tones. Park Kill port can be connected to your vehicle's overhead light, door open light or park so that the siren is disabled when the door is opened.

Using Radio Rebroadcast and Microphone

When either Radio Rebroadcast or the Microphone is activated, any activated tone, standard siren tone or audio tone, gets deactivated.

Mic Volume

To adjust the mic volume, locate the mic volume switch on the side or top of the controller. Use a small phillips head screwdriver to adjust the volume.





Siren Tones & Patterns

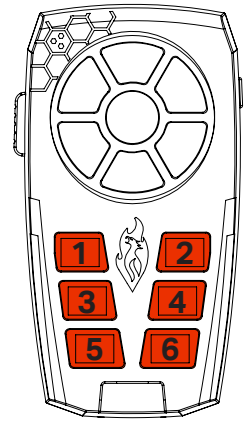
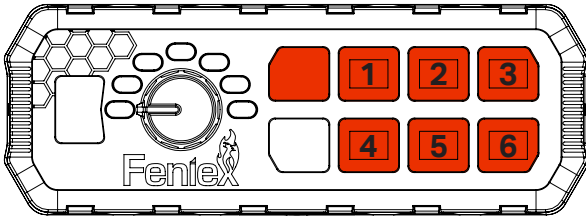
M1 & M2 Tones	HF, T1, T2 & T3 Tones	Wig Wag Patterns	Handheld Tones
Manual Wail	Wail	Wig Wag Slow	Wail
Ecto Siren	Yelp	Wig Wag Fast	Yelp
Move Out of the Way	Fast Yelp	Wig Wag Combo	Fast Yelp
Pull Over	Phaser	Double Slow	Phaser
Step Out of the Vehicle	Mechanical	Double Fast	Mechanical
Step Out Hands Up	Manual Wail	Double Combo	Manual Wail
Remain in Your Vehicle	High/Low	Quad Slow	High/Low
Remain Window Down	P Call Slow	Quad Fast	P Call Slow
	P Call Fast	Quad Combo	P Call Fast
	Horn-Phaser	Attack 1	Horn-Phaser
	Horn-Yelp	Attack 2	Horn-Yelp
	Phaser-Yelp		Phaser-Yelp
	Ecto Siren		Ecto Siren
	Bad Boys		Bad Boys
	Move Out of the Way		Move Out of the Way
	Pull Over		Pull Over
	Step Out of the Vehicle		Step Out of the Vehicle
	Step Out Hands Up		Step Out Hands Up
	Remain in Your Vehicle		Remain in Your Vehicle
	Remain Window Down		Remain Window Down
	Test Tone		Test Tone

Tone Settings

User settings for siren tones are saved in the controller, not in the siren box.



Programming Buttons for Full Function and Handheld



1. Setting button as momentary:

Important! Only the buttons highlighted in red (above) are available to program.

Press the "On/Off" button to turn the system off.

Press and hold the desired button you wish to program as momentary.

Continue holding the selected button while holding down the "On" button for 3 seconds. A beep will sound when programmed.

The button is now set as a momentary button. To reverse the function, repeat the steps above.

2. Setting wig-wag functionality:

Press the "On/Off" button to turn the system off.

Press and hold buttons 1 and 2 simultaneously.

Continue holding buttons 1 and 2 while holding down the "On" button for 3 seconds. A beep will sound when programmed.

You have now enabled button 1 as the "On/Off" for wig-wag and the button 2 as the pattern select.

To reverse the functionality, repeat the steps above.

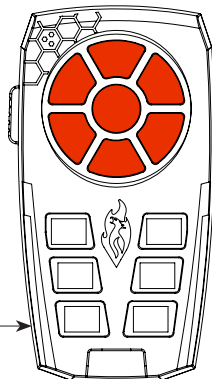
1. Setting Typhoon Handheld Siren Tones

Important! Only the buttons highlighted in red are available to program.

Press and hold the siren tone button.

While holding the siren tone button, cycle through the tones using the tone selector switch (shown right).

Release the siren tone button.



Tone selector switch

2. Setting siren tones as momentary:

Press the "On/Off" button to turn the system off.

Press and hold the desired button you wish to program as momentary.

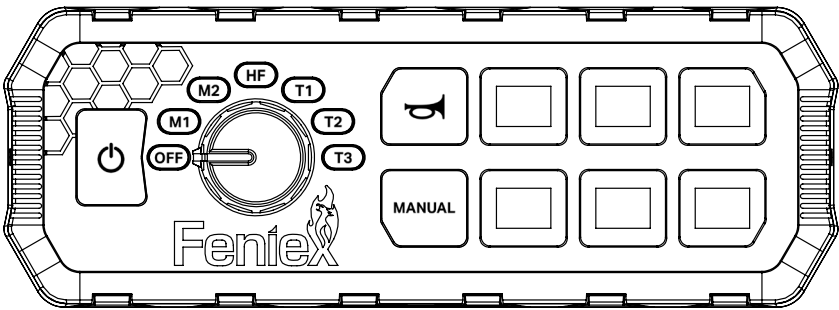
Continue holding the selected button while holding down the "On" button for 3 seconds. A beep will sound when programmed.

The button is now set as a momentary button. To reverse the function, repeat the steps above.



Rotary Dial Switch Typhoon Full Function

Position	Function	Activation	# Tones
OFF	Turns System Off	None	-
M1	Ramp Up/Ramp Down	Press Manual to turn On	1
M2	Ramp Up	Press Manual to turn On	1
HF	Continuous On/Off	Press Manual to turn On and to select Siren Tones. Press Manual twice to turn Off	3
T1	Continuous On/Off	Press Manual to switch between siren tones	2
T2	Continuous On/Off	Press Manual to switch between siren tones	2
T3	Continuous On/Off	Press Manual to switch between siren tones	2



Setting Siren Tones

Important! Only the buttons highlighted in red are available to program.

Turn rotary dial to the position you would like to program the siren tone.

HF, T1, T2, and T3 have multiple tones that can be programmed. To switch between the tones, press the manual button.

Release the siren tone button.

Cycle through the tones using the tone selector switch (shown right). To program M1 and M2, hold the Manual button while pressing the tone selector switch.

Tone selector switch

