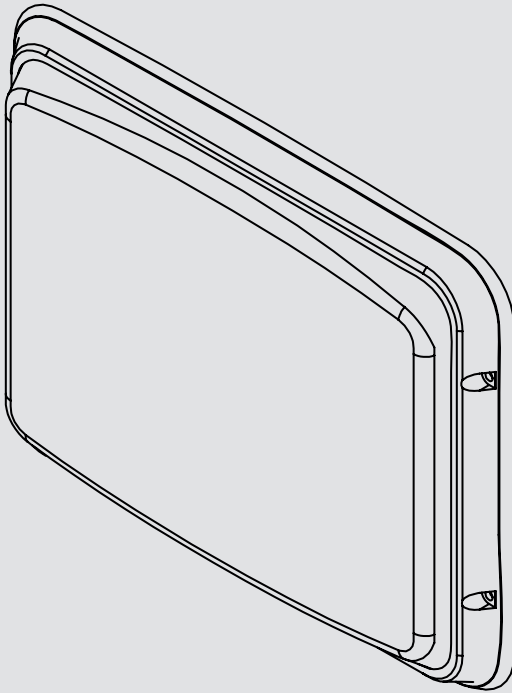


WIDE LUX - Instruction Manual

V2.0



WIDE LUX 6X4, 9X7, 7X3

Model # - A-4600, A-7900, A-3700

This instruction manual serves as a guide for the **Wide-Lux**.

IMPORTANT! Please read through all provided instructions and any listed warnings in regards to product use.



Fenix Product Copyrights This price List and the mentioned Fenix products include or describe copyrighted Fenix material. Laws in the United States and other countries preserve for Fenix Industries and its licensors certain exclusive rights for copyrighted material, including the exclusive right to copy, reproduce in any form, distribute and make derivative works of the copyrighted material. Accordingly, any copyrighted material of Fenix and its licensors contained herein or in the Fenix products described in this Price List may not be copied, reproduced, distributed, merged or modified, transmitted, transcribed, stored in retrieval system or translated into any language or computer language, in any form or by any means, without prior written permission of Fenix Industries, Inc. Fenix and the stylized Fenix logo are registered in the U.S. Patent & Trademark Office.

Safety Regulations	3
Warranty	3
Service after Expiration.....	3
Copyright	3
Feniex Product Copyright.....	3
Equipment Dimensions	4
Features & Specifications	5
Wiring Diagram	6
Mounting Installation	7

Safety Regulations

The following provides all the information necessary to safely operate the previously listed products of Feniex Industries, Inc. Please read this manual thoroughly before installing or operating your new product in order to prevent any damage or injury. Failure to follow the listed instructions in this manual may result in damage to your products or personal injury.

- Proper installation of this product requires good knowledge of automotive systems, electronics and procedures.
- Please guarantee all vital components of the vehicle are not in danger of being damaged by drilling holes necessary for installation. Check all sides of the mounting surface before drilling any holes into the vehicle.
- Do not install this product in any way that interferes with the deployment of the air bag. Doing so may damage the effectiveness of the air bag and can lead to serious personal and vehicle injury. The installer will assume full responsibility of proper installation of the new unit.
- Please clean the mounting surface before installation of the unit when using tape, brackets, magnet, Velcro or suction cups.
- The product's ground wire must be connected directly to the Negative (-) battery post for effective use of the unit. Please follow all wiring guidelines provided to guarantee long lifespan and productivity. Failing to follow these instructions may result in damage to the product.

Warranty

Feniex Industries, Inc. warrants to the original purchaser that the product shall be free from defects in material and workmanship for 5 years from the date of purchase for all LED products. Feniex Industries warranties speakers, sirens, flashers, and controllers for 2 years.

If a warranty problem occurs, please contact customer support at 1.800.615.8350 or visit the web site at www.Feniex.com. If the product needs to be returned for repair or replacement, call our customer support line to receive a return merchandise authorization number.

Operational times are from 10 a.m. to 5 p.m. central time, Monday through Friday. Please do not send in product without contacting support first for a RMA number.

Service After Expiration

Feniex Industries will still provide service for all products after expiration of the warranty. For any issues, call the customer support line. In some instances it may be necessary for the product to be shipped, freight prepaid and insured for loss or damage to Feniex headquarters.

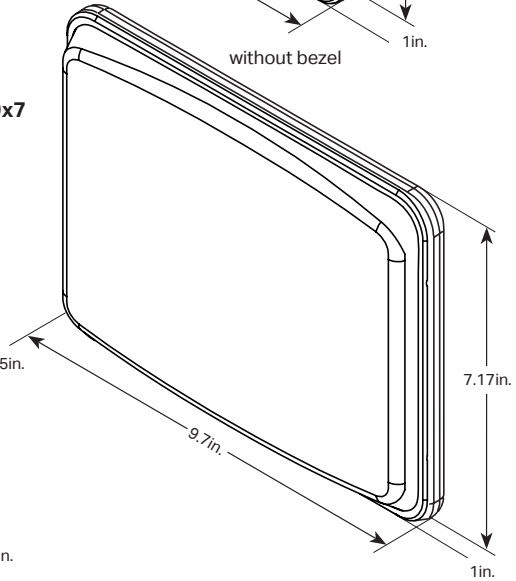
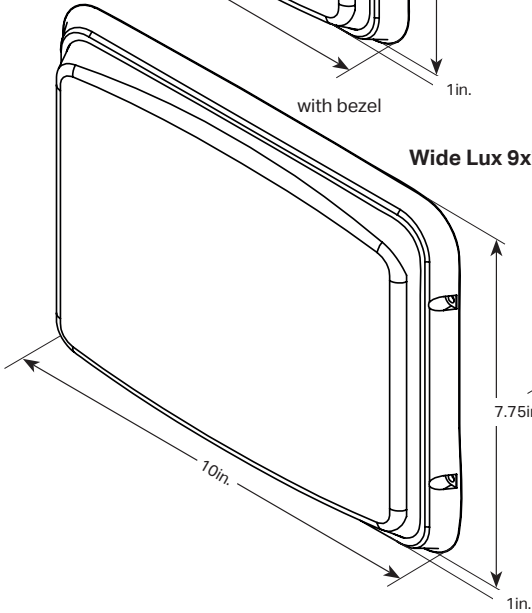
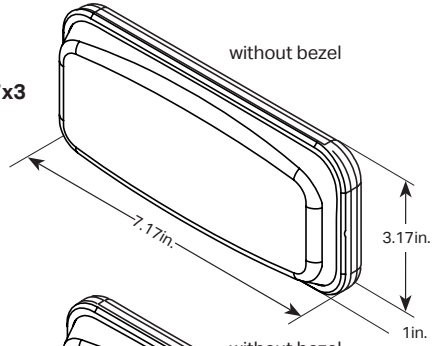
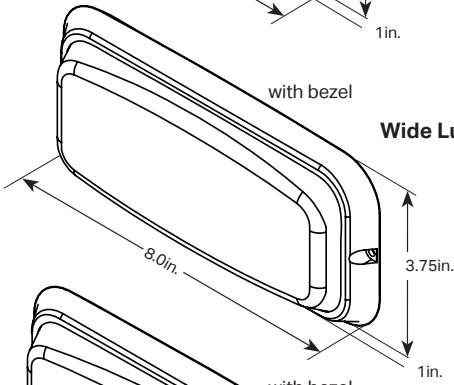
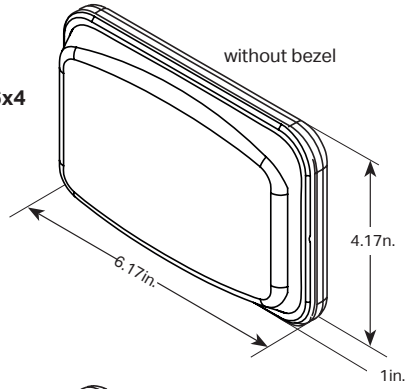
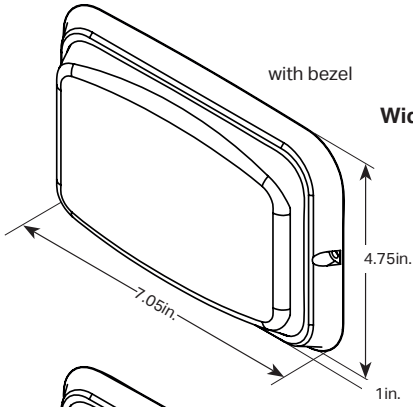
Warning! Utilizing non-factory screws and mounting brackets may result in loss of warranty coverage.

Copyright

This instruction manual and the Feniex products described in this instruction manual may include or describe copyrighted Feniex material. Laws in the United States and other countries preserve for Feniex Industries and its licensors certain exclusive rights for copyrighted material, including the exclusive right to copy, reproduce in any form, distribute and make derivative works of the copyrighted material. Accordingly, any copyrighted material of Feniex and its licensors contained herein or in the Feniex products described in this instruction manual may not be copied, reproduced, distributed, merged or modified in any manner without the express written permission of Feniex Industries, Inc.

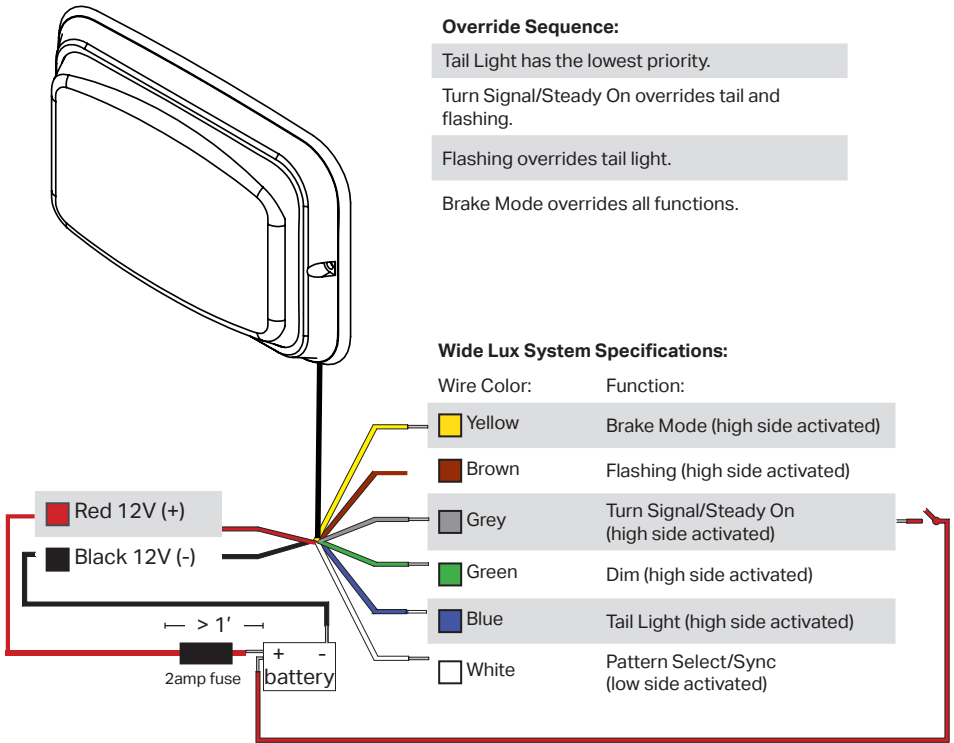
Feniex Product Copyrights

The products described in this document are the property of Feniex Industries, Inc. It is furnished by express license agreement only and may be used only in accordance with the terms of such an agreement. Products and documentation are copyrighted materials. Making unauthorized copies is prohibited by law. No part of the product or documentation may be reproduced, transmitted, transcribed, stored in retrieval system or translated into any language or computer language, in any form or by any means, without prior permission from Feniex Industries, Inc.



FEATURES & SPECIFICATIONS

Power Drive:	1 Amp
Operating Voltage:	12V DC
Standby Power:	5mA
Number of wires:	8
LED Power:	4 watt LEDs
Sizes:	6x4, 7x3, 9x7
6x4 LED Count:	18 LEDs
7x3 LED Count:	12 LEDs
9x7 LED Count:	36 LEDs
Water Proof:	IP.67
Feature 1:	Brake Light mode
Feature 2:	Tail Light mode
Feature 3:	Dim mode
Feature 4:	Turn Light mode
Patterns:	20+
Mounting Option 1:	Surface mount with bezel (shown on pg 7)
Mounting Option 2:	No bezel surface mount (shown on pg 7)



Step 1: In order to activate the unit, extend the red, 12V+ wire to the 12V+ post of the vehicle's battery. Extend the black, 12V- wire to the ground post of the vehicle's battery.

Step 2: To turn the unit on, connect the Brown wire to a 12V+ power source or switch.

Step 3: Momentarily connect the white wire to a 12V- source to change flash patterns.

Step 4: With the brown wire still connected to 12V+, connect the green wire to the brown wire. This should engage the dimming function on, turning all LEDs on to 5% of the original brightness.

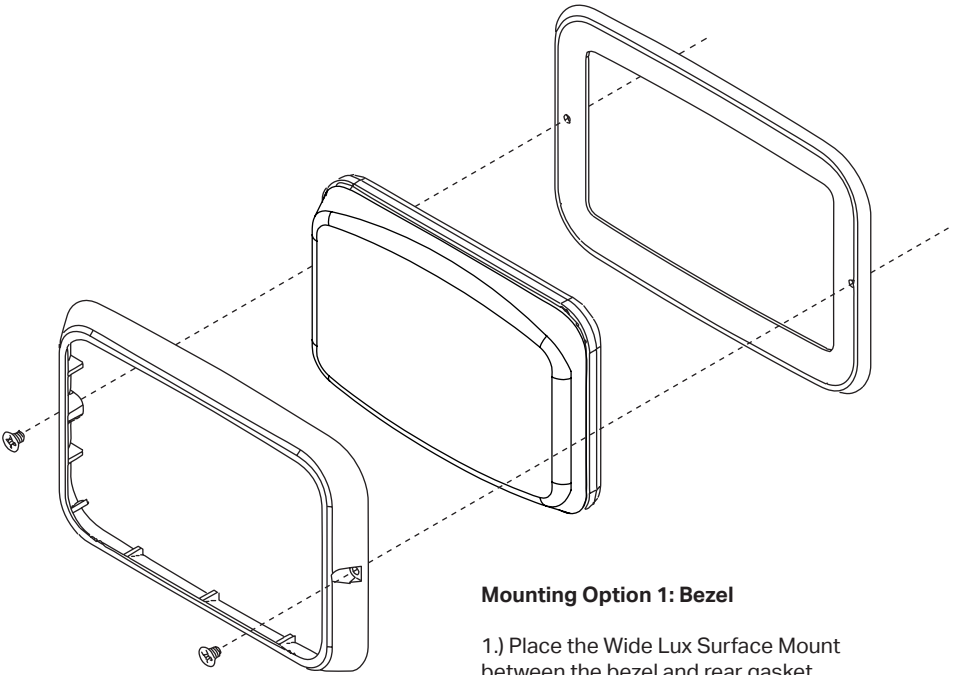
Step 5: To engage turn signal/steady on, connect the grey wire to 12V+. This function should engage all LEDs steady on at 50% of brightness.

Step 6: To engage tail light/steady on, connect the blue wire to the 12V+. All LEDs will turn steady on at 5% of the original brightness.

Step 7: To engage Brake Mode/Steady on, connect the yellow wire to 12V+. This function will turn all LEDs steady on at 50% brightness. Note on this function the unit will flash twice and then engage into steady on mode.

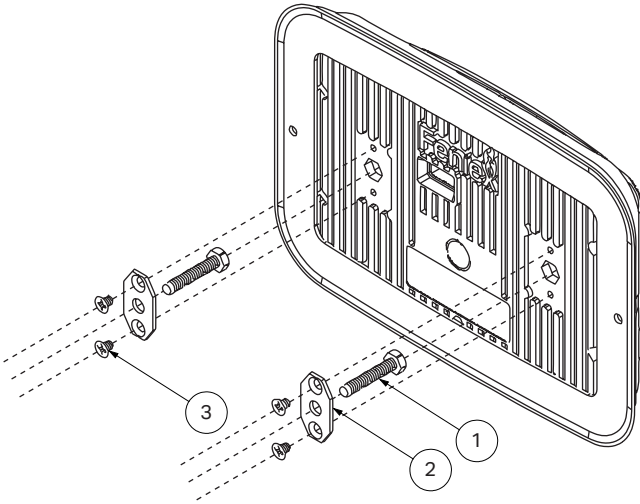
Optional Step: To Alternate Light Heads

For the light head to alternate, one light head must be set as master and the other as slave on the mode wire interded for use. To do so, hold the white (flash pattern changer) wire to ground for 3 seconds. If all LEDs turn on this indicates master mode. If half the LEDs activate this indicates slave mode. Set one unit as master and the other as slave.



Mounting Option 1: Bezel

- 1.) Place the Wide Lux Surface Mount between the bezel and rear gasket.
- 2.) Place against the intended mounting surface and mark the holes for drilling.
- 3.) Mark the areas where the mounting holes will be drilled. If the mounting surface is part of the vehicle, make sure no vital components could be damaged by the drilling process. There is an installation template available at fenix.com.
- 4.) Drill the mounting holes in the marked surface. If wires need to pass through the vehicle, drill a 0.5" diameter hole for wire passage. Make sure to deburr holes thoroughly.
- 5.) Pass the wires through the 0.5" diameter hole and secure the Surface Mount with bezel and gasket to the mounting surface using the factory provided screws (ensure no vital components are damaged when drilling holes for the surface mount).



Mounting Option 2: No Bezel

- 1.) Place the large bolt (part #1) in the rear of the control, as shown in the diagram.
- 2.) Secure the bolt by placing the bracket (part #2) over the bolt so the bracket is flush with the gasket.
- 3.) Secure the bracket and bolt to the rear of the gasket with the two factory provided screws (part #3).
- 4.) Mark the areas where the mounting holes will be drilled. If the mounting surface is part of the vehicle, make sure no vital components could be damaged by the drilling process.
- 5.) Drill two mounting holes on the mounting surface, making sure no vital components of the surface are damaged.
- 6.) Using customer provided screws, secure the Wide Lux to the mounting surface.